

PH SNOWBALL

The fixture emits comfortable glare-free diffused light. Matt painted undersurfaces and glossy top surfaces result in an attractive reflection of the diffused light, creating uniform light distribution around the fixture. When the light is switched on, the top portion is illuminated while the bottom part remains dark.



Poul Henningsen

The very influential Danish designer, architect, writer, and cultural critic, Poul Henningsen (1894-1967), has had a huge impact on Danish thinking and design. His legacy is an integrated part of Louis Poulsen's endeavor to shape light.



Product info

Mounting

Suspension type E27: Cable 3x0,75mm². Canopy: Yes. Cable length: 3m. Suspension type LED: Cable 2x1,5mm². Canopy: Yes. LED canopy contains driver. Cable length: 4m.

Finish

White, wet painted.

Materials

Shades: Spun aluminium. Frame: High lustre chrome plated, die cast aluminium. Housing: High lustre chrome plated, spun aluminium.

Sizes and weights

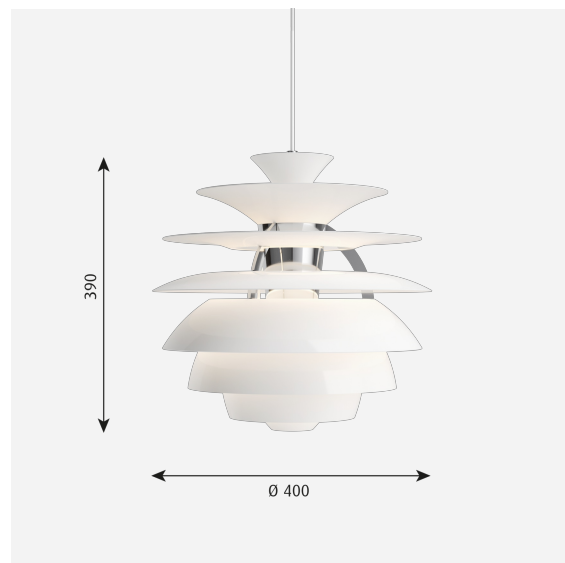
Width x Height x Length (mm) | 400 x 390 x 400 Max 4.5 kg

Class

Ingress protection IP20. Electric shock protection I w. ground.

Light source

1x70W E27



Product variants

| Light source | Lumen | Lighting control |
|------------------------|-------|--|
| 1x70W E27 | - | - |
| LED 3000-1800K D2W 41W | 1085 | Dali |
| LED 3000K 41W | 894 | Phase dimming (mains dimm) Wireless bluetooth |

Product description

Suspended shade luminaire.
8 shades ensures minimal direct view of lamp.
Geometry created to ensure illumination of large rooms.
Iconic design.
Top shade to hide insert.

Mounting

Can be mounted on 4" octagonal junction box. (USA only)
Relamping by removing bottom shade held in place with spring-loaded tabs.

Light description

Spherical light distribution.
Top shades provide vertical illumination of room.
Lower shades primarily direct light down.
Geometry ensures uniform light around the fixture.
Matte painted undersurfaces of shades creating uniform light distribution around the fixture.

Design

Poul Henningsen

Material

Shades: White, spun aluminum, 0.8 mm (0.03") thick.
Internal struts of chrome plated aluminum.
Socket: Porcelain, medium base, for A-23 clear envelope lamps.
Socket position is adjustable to allow correct lamp position and fixture illumination.
Canopy: 5.3" diameter x 0.9" tall cone of spun aluminum.
Cable: white PVC coated, 12 ft. (USA)

Weight

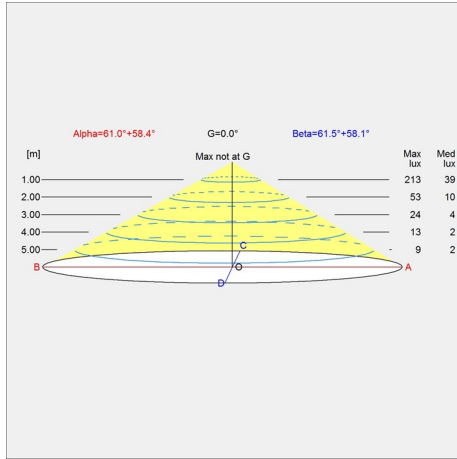
Min: 3.281 kg Max: 4.471 kg

Finish

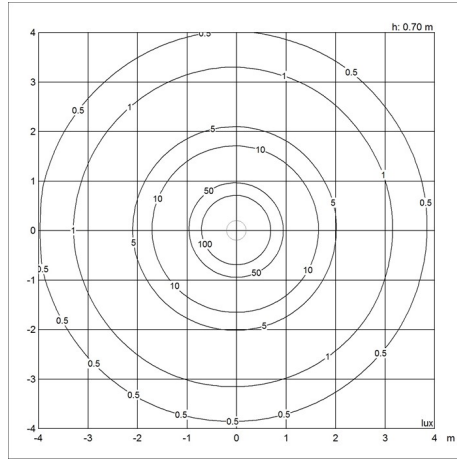
White

Light distribution diagrams

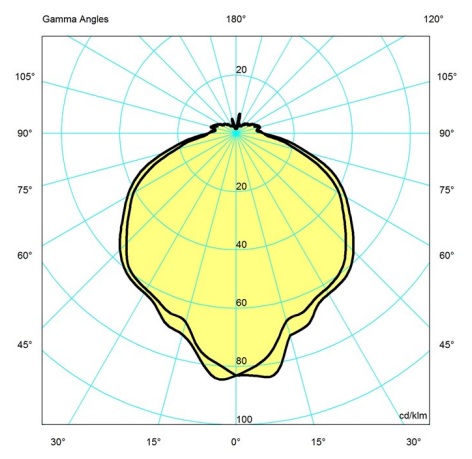
Cartesian



Isolux



Polar



Spare parts & accessories

Product

Canopy White 2-part tophat ©
 PH Snowball, bottom shade

Variant number

5749329034
 5741086456